



GANAL

LAYING CONVERTA CAGE

CONVERTA-CAGE

With the unique design of the GANAL CONVERTA - CAGE, the system can be installed as a traditional system now and can be easily converted at any time into a colony housing system. Simply add nests, perches, claw shortening device and scratch area attachment... as easy as 1, 2, 3!

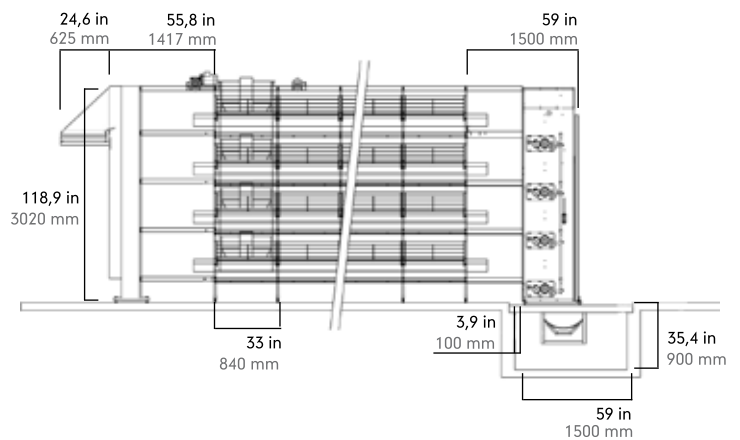
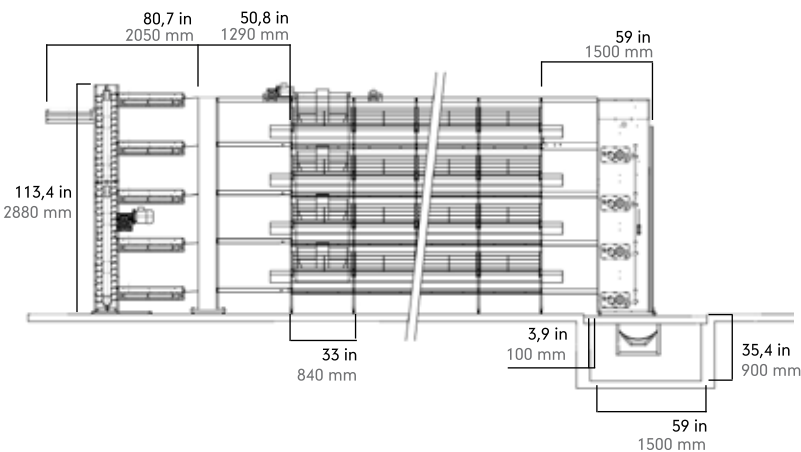
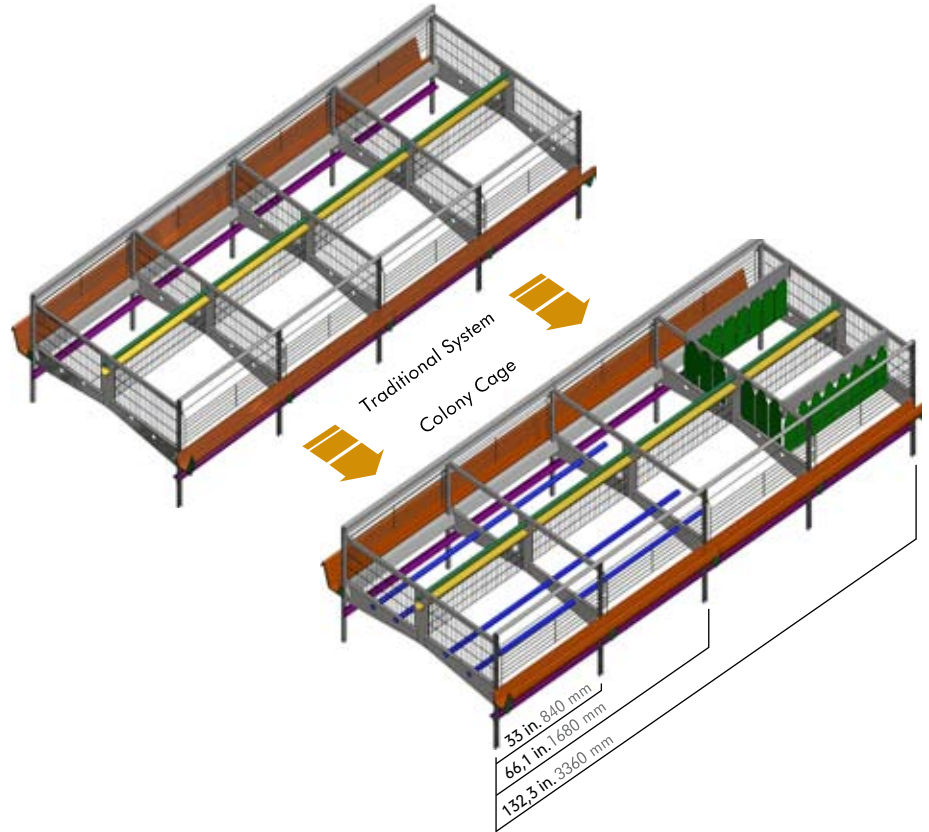
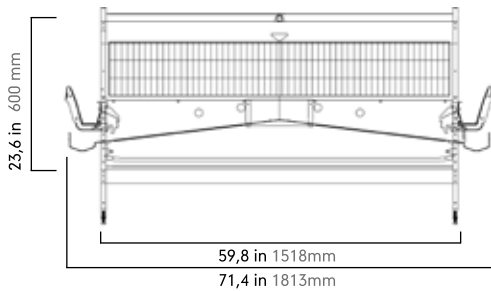
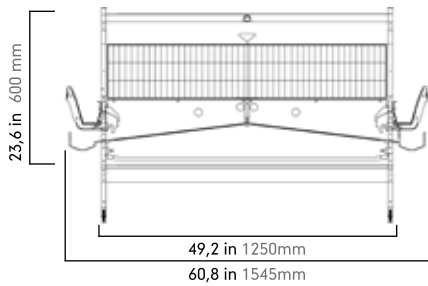
- High quality. Cost effective solutions for your layer operations.
- Egg Layers, pullet & broiler cages.
- Travelling feed hoppers & chain.
- Egg lift & Egg Elevator.
- Manure conveying systems.
- North American built control systems.
- 3 Tiers up to 12 tiers fully automated.
- Feed bins.
- Egg conveyor – the best rod conveyor in the world to transport eggs on continuous conveyors.
45–180 Stress free bends and counter-bends, slopes and descents all without a break in the rod conveyor.



LAYING

G28

| | | | | | | | | | |
|---------------|------|-------|-------|------|-------|-------|-------|-------|----------------------------------|
| TIERS | 3 | 4 | 5 | 6 | 7 | 4+4 | 4+5 | 5+5 | Trolley Height: 7,5 inch. 190mm |
| HEIGHT (inch) | 90,1 | 113,8 | 137,4 | 161 | 184,6 | 231,9 | 255,5 | 279,1 | Cage Length: 132.3 inch. 3360mm |
| HEIGHT (mm) | 2290 | 2890 | 3490 | 4090 | 4690 | 5890 | 6490 | 7090 | Height Catwalk: 23,6 inch. 600mm |



GANAL
POULTRY EQUIPMENT